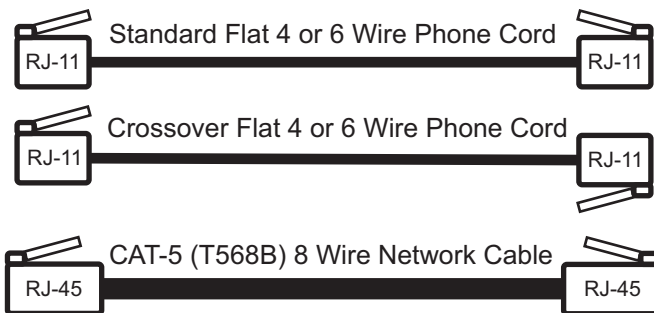
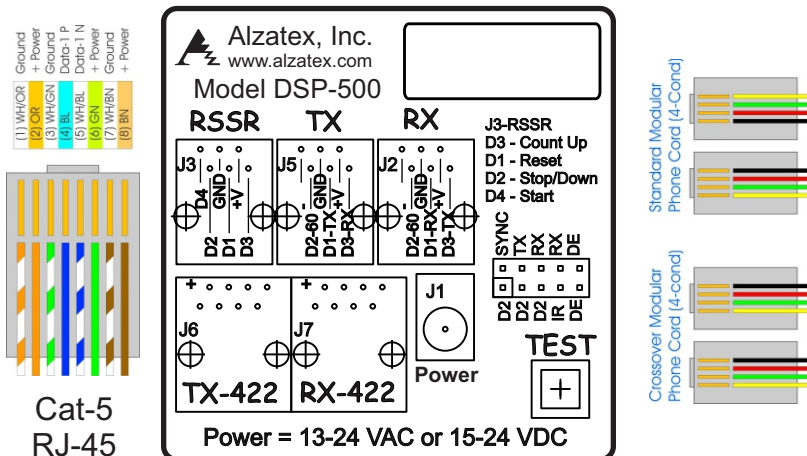


Alzatex Wiring Basics

Common Cable Types Used



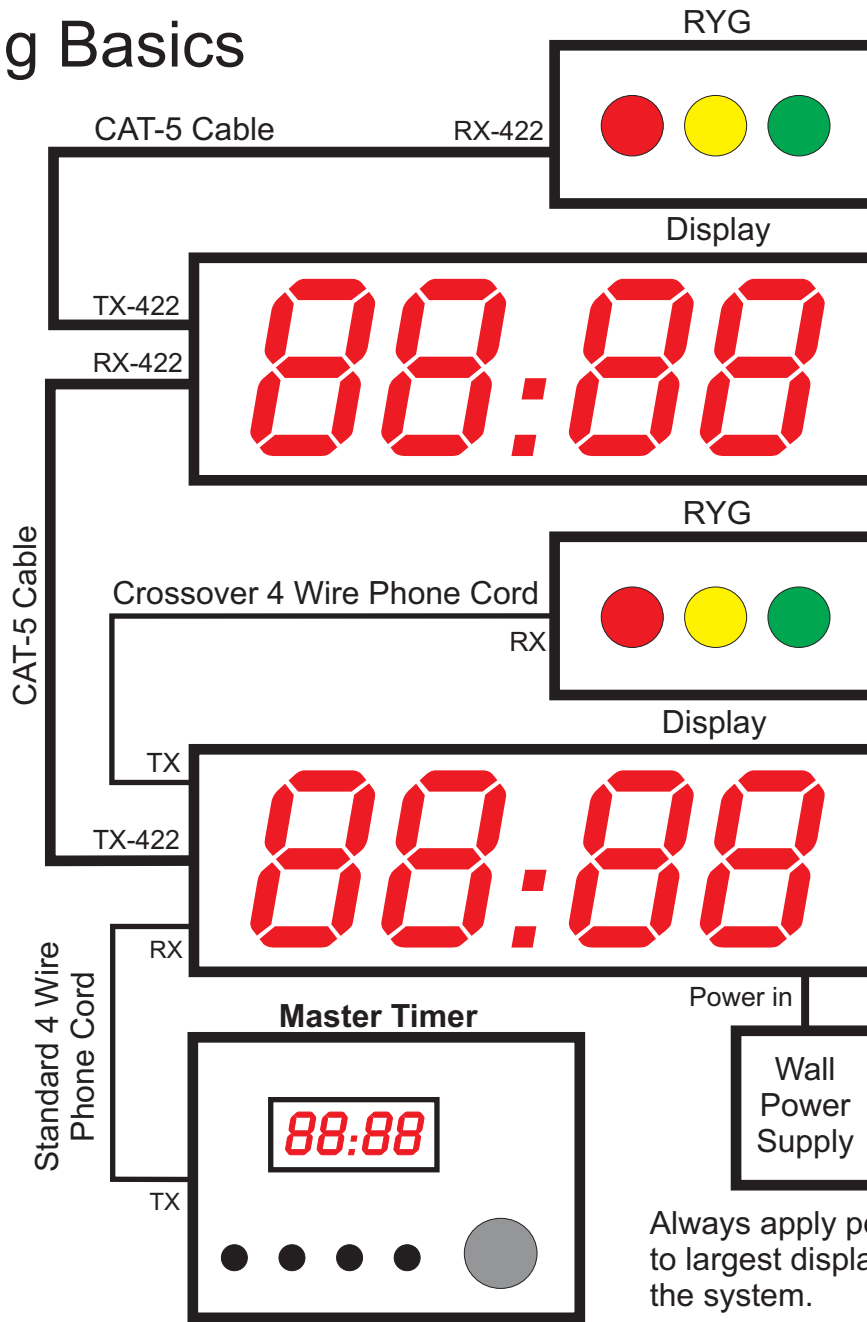
Typical Display Port Connections



Displays can be daisy chained as long as the data flows from TX (Out) to RX (In) and the power requirements are met. Power can be applied to units at each end of long cables if the voltage drop is too great. A distribution hub can be used for systems with a large number of displays.

The **TX**, **RX**, **TX-422** and **RX-422** ports are for serial data connections between Timers and Displays. The **TX** and **RX** ports are RJ-11 type and use 4 wire phone cords. They are used for short distance connections (<100ft). The **TX-422** and **RX-422** ports are RJ-45 type and use 8 wire CAT-5 network cable. They are used for longer distance connections. TX (Out) connects to RX (In) or TX-422 (Out) connects to RX-422 (In).

The **RSSR** port is RJ-11 type and uses 6 wire phone cords. It is for digital switch closure to GND type inputs and is usually connected to simple keypads or push buttons.



Always apply power to largest display in the system.

Here is an example meeting timer system. Use Standard 4 wire phone cords when running from a timer to a display, Crossover 4 wire phone cords when running between displays, or CAT-5 cables when running long distances. Power as well as Data is sent through the cables, and each unit has self resetting fuses. So if a section goes dead try changing power connection or add more power supplies.