

# Controller connecting cable

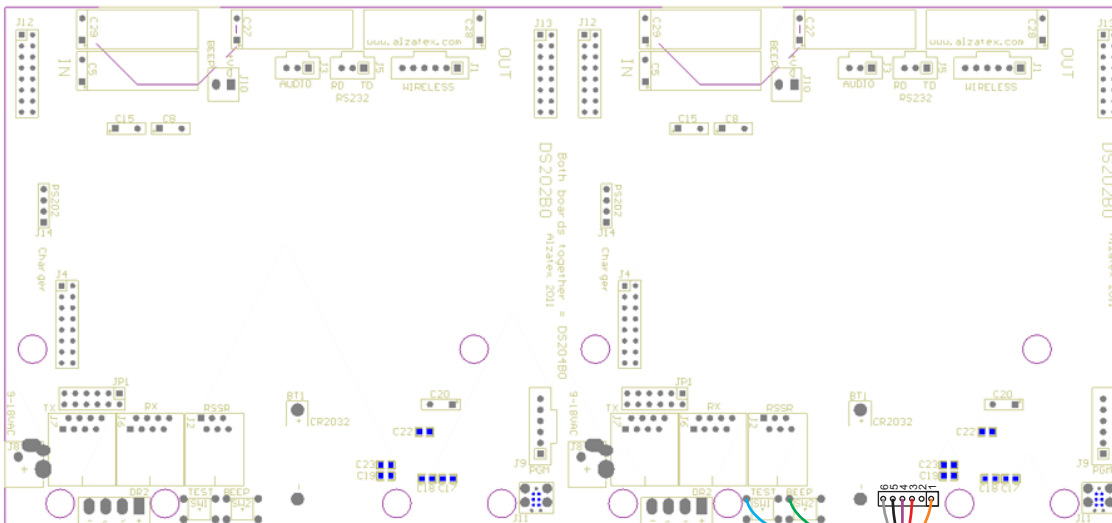
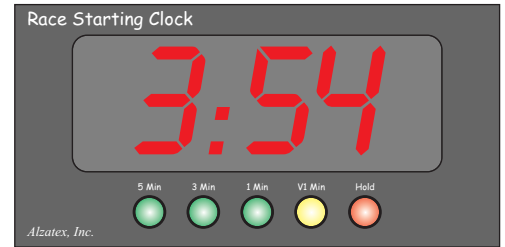
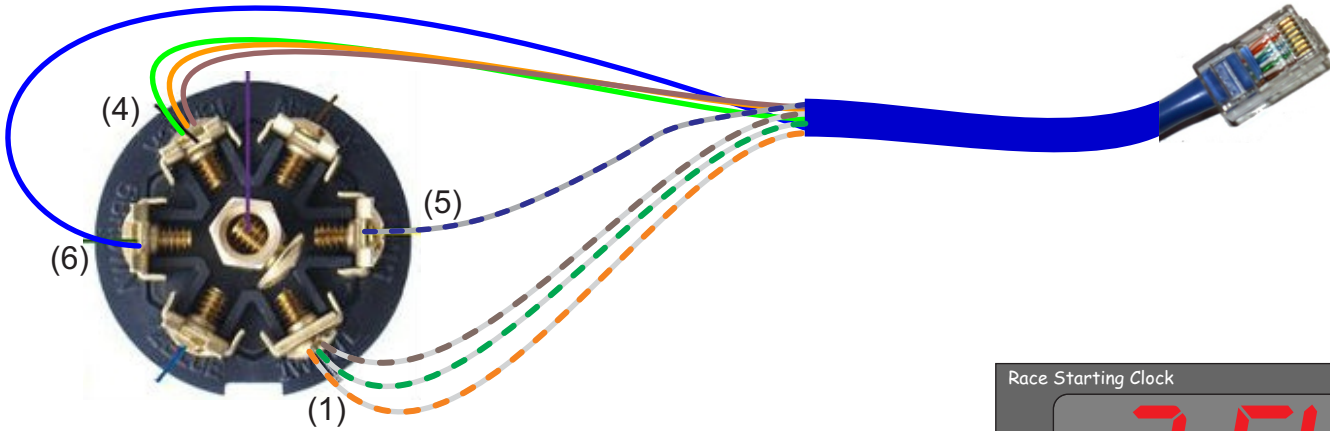
Cable Connector wiring.

Same type of connector at either end of the cable:

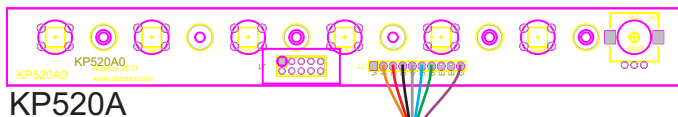
- (1) White, White, White = Ground
- (2) Not used
- (3) Not used
- (4) Green, Orange, Brown = +12VDC
- (5) White/Blue = RS422-Data-N
- (6) Blue = RS422-Data-P
- (7) Not used



## Chassis Mount Connector Wiring



## DSP204B5-OBSC Starting Clock Controller



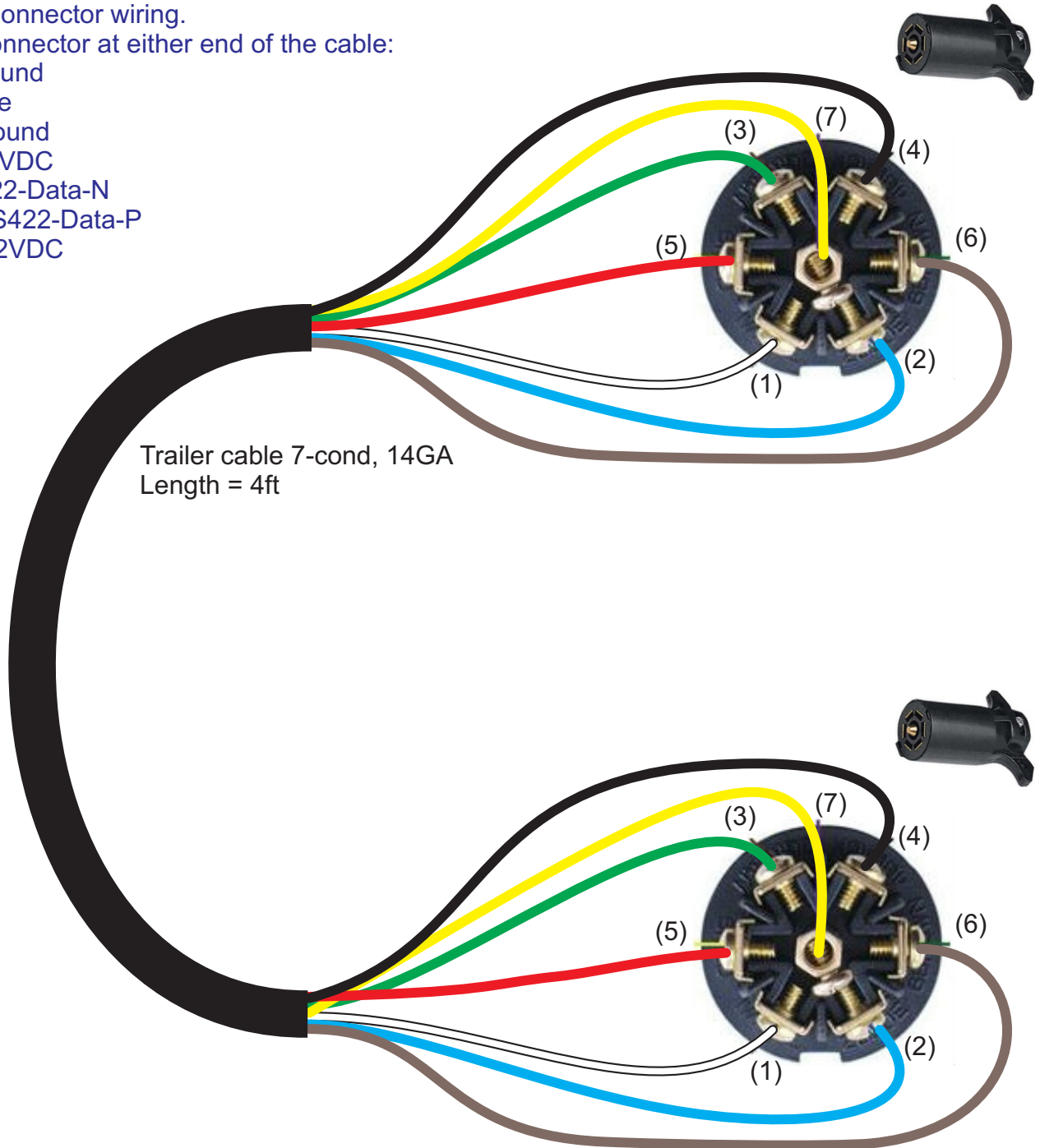
- |            |            |
|------------|------------|
| DS204B-J15 | KP520-J2   |
| 1 - OR     | 1 - OR     |
| 3 - RD     | 2 - RD     |
| 4 - Violet | G - Violet |
| 5 - Black  | 3 - Black  |
| 6 - White  | 4 - White  |
| Sw2 - GN   | 6 - GN     |
| Sw1 - BL   | 5 - BL     |

# DSP3601A to DSP3601A connecting cable

7-Cond Cable Connector wiring.

Same type of connector at either end of the cable:

- (1) White = Ground
- (2) Blue = Spare
- (3) Green = Ground
- (4) Black = +12VDC
- (5) Red = RS422-Data-N
- (6) Brown = RS422-Data-P
- (7) Yellow = +12VDC

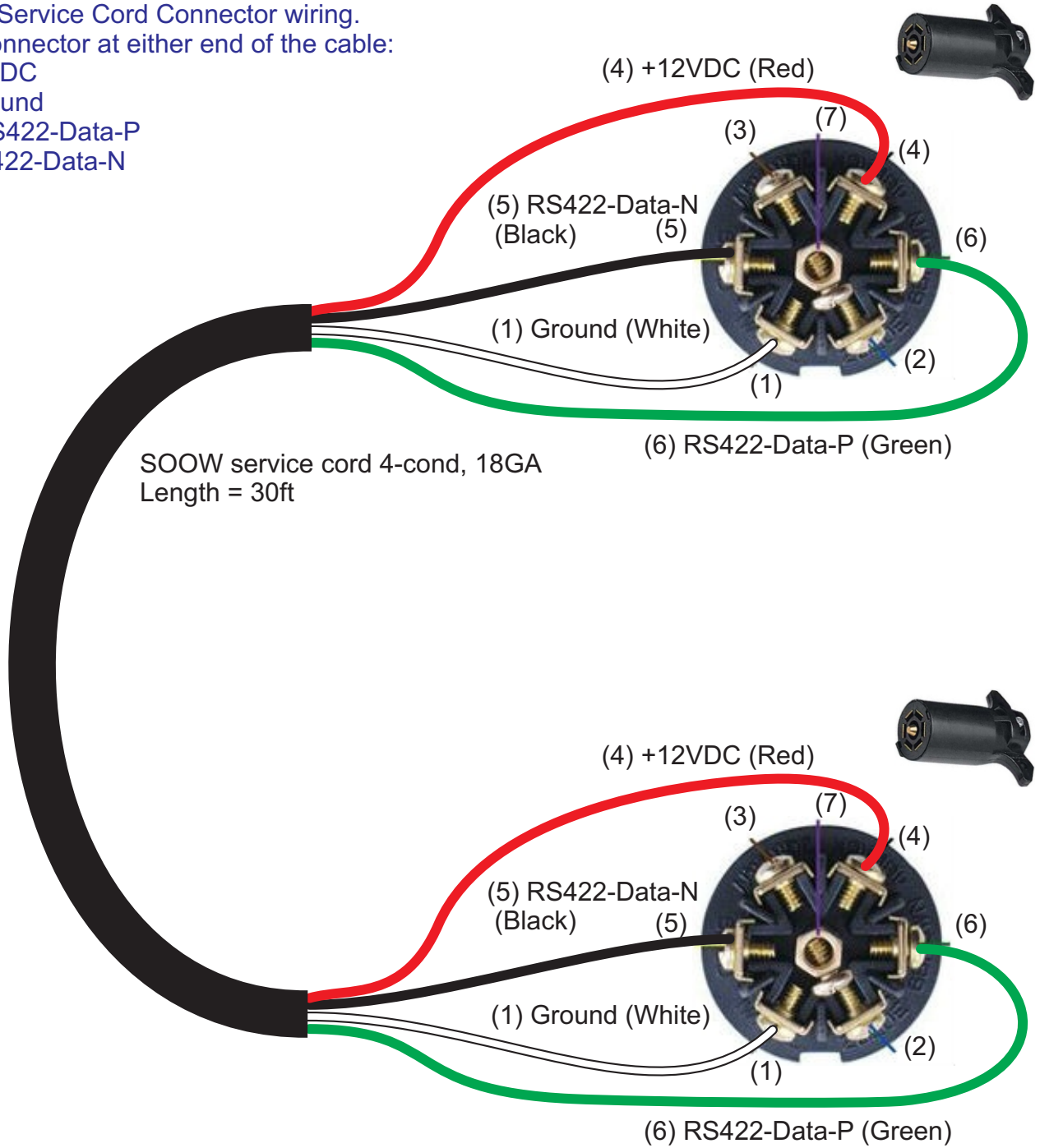


Trailer cable 7-cond, 14GA  
Length = 4ft

### Controller to DSP3601A Cable

4-Cond SOOW Service Cord Connector wiring.  
Same type of connector at either end of the cable:

- (4) Red = +12VDC
- (1) White = Ground
- (6) Green = RS422-Data-P
- (5) Black = RS422-Data-N



# Outboard Racing Starting Clock Wiring Diagram

# Power Cord

Items required:

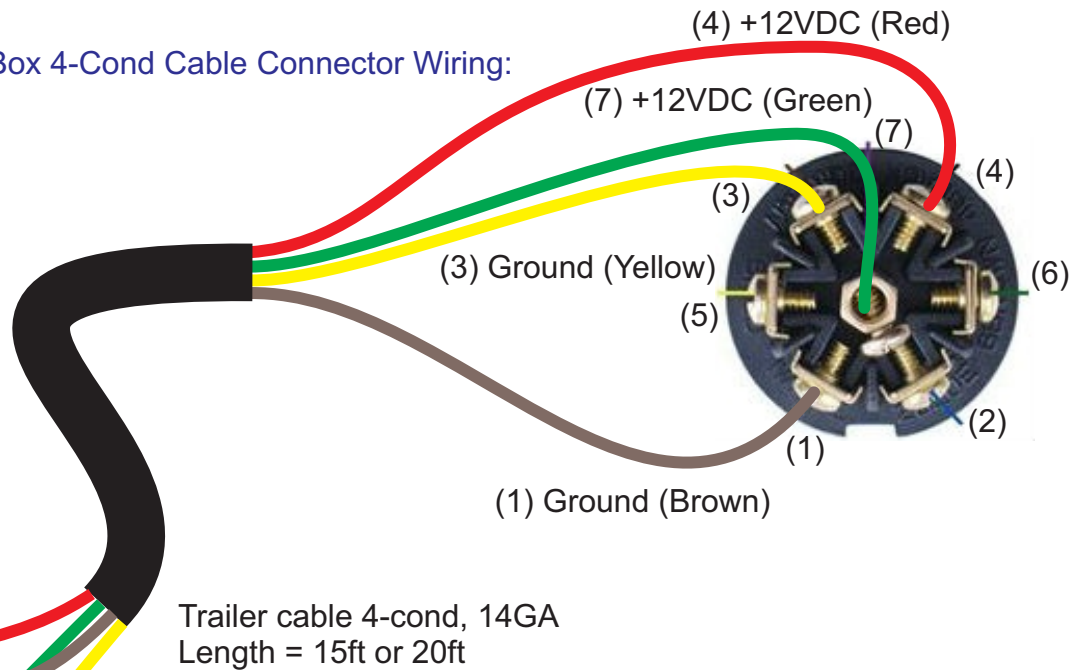


- Anderson Powerpole Connectors
- Qty 2 - Red PP-30 shell (1327-BK)
- Qty 2 - Black PP-30 shell (1327G6-BK)
- Qty 4 - Contact, 30 amp (1331-BK)
- Qty 1 - Housing that holds 4 connectors (1460G1)
- Qty 1 - Cable clamp for above (115G1)
- Qty 1 - Retaining pin for above (110G9)

- Trailer connector and wire
- Qty 1 - Trailer connector, 7-way (30305)
- Qty 15-20ft - 14-4 trailer wire with black sheath

## Power Supply to Junction Box 4-Cond Cable Connector Wiring:

- (4) Red = +12VDC
- (1) Brown = Ground
- (7) Green = +12VDC
- (3) Yellow = Ground

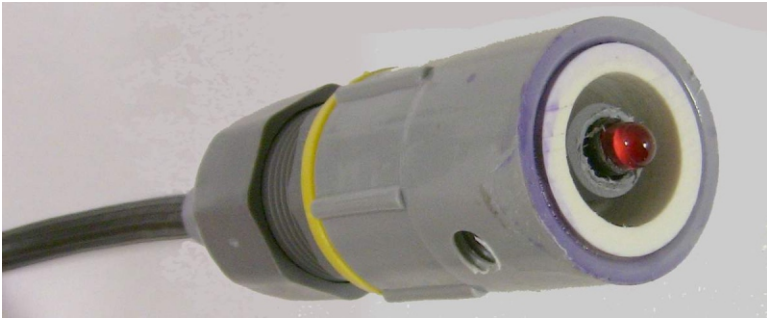


Red and Black Power pole connectors

- Connect red and green leads to the red power pole connectors
- Connect yellow and brown leads to the black power pole connectors
- Insert connectors into shell as shown in photo.
- Install retainer pin to hold connectors in place.

# Outboard Racing Starting Clock Wiring Diagram

# Camera LED

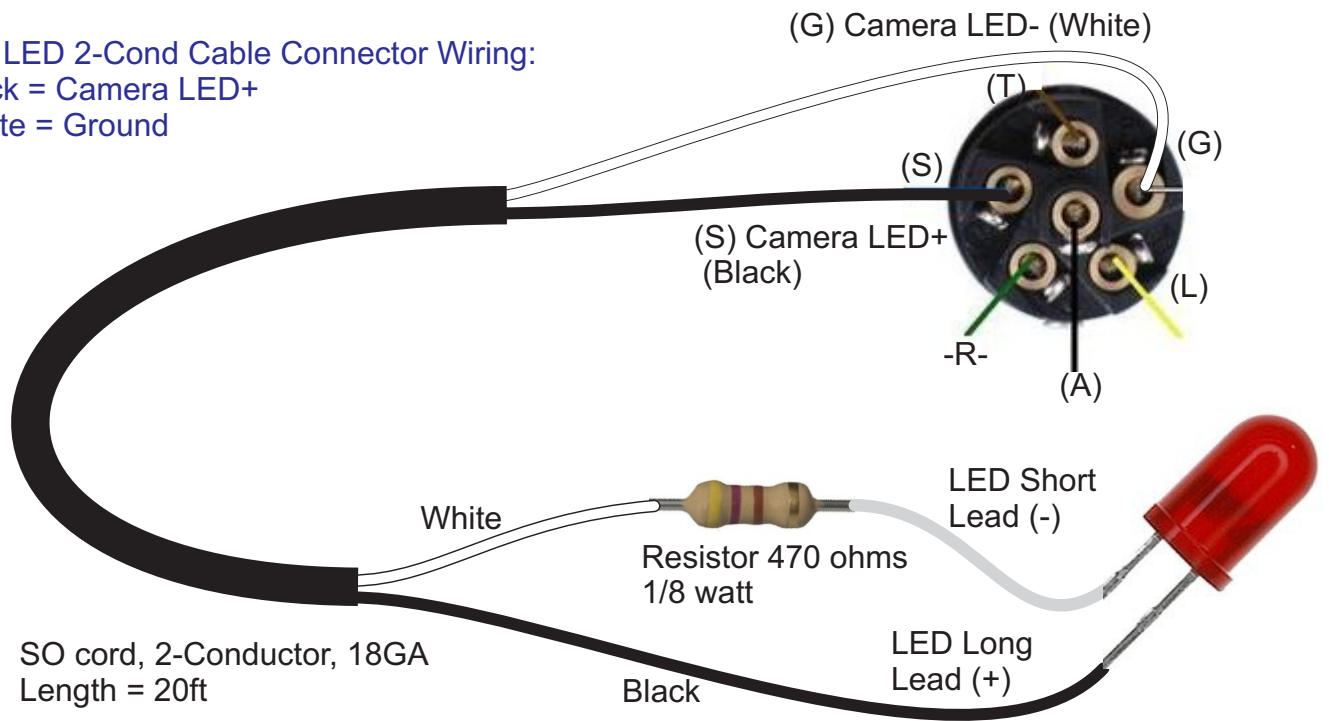


## Items required:

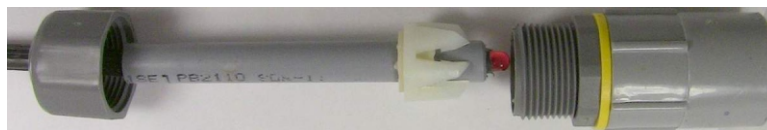
- Trailer connector and wire
- Qty 1 - Trailer connector, 6-way (11-604)
- Qty 30ft - 18-2 Rubber SO cord with black sheath

## Camera LED 2-Cond Cable Connector Wiring:

- (S) Black = Camera LED+
- (G) White = Ground



SO cord, 2-Conductor, 18GA  
Length = 20ft



Exploded view of the camera LED assembly



### DSP3601A Ones digit power wiring

7-Cond Cable Connector wiring.



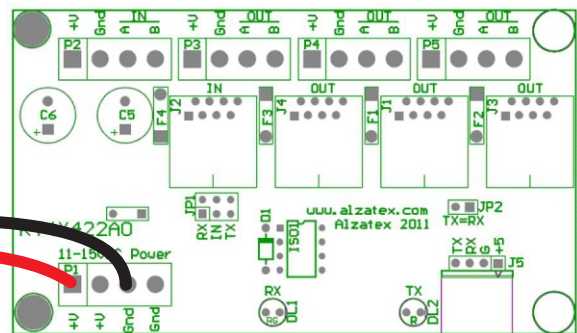
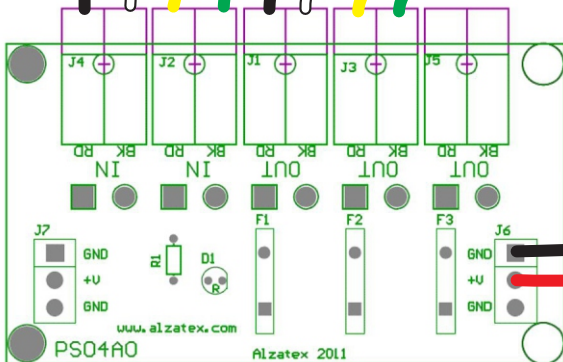
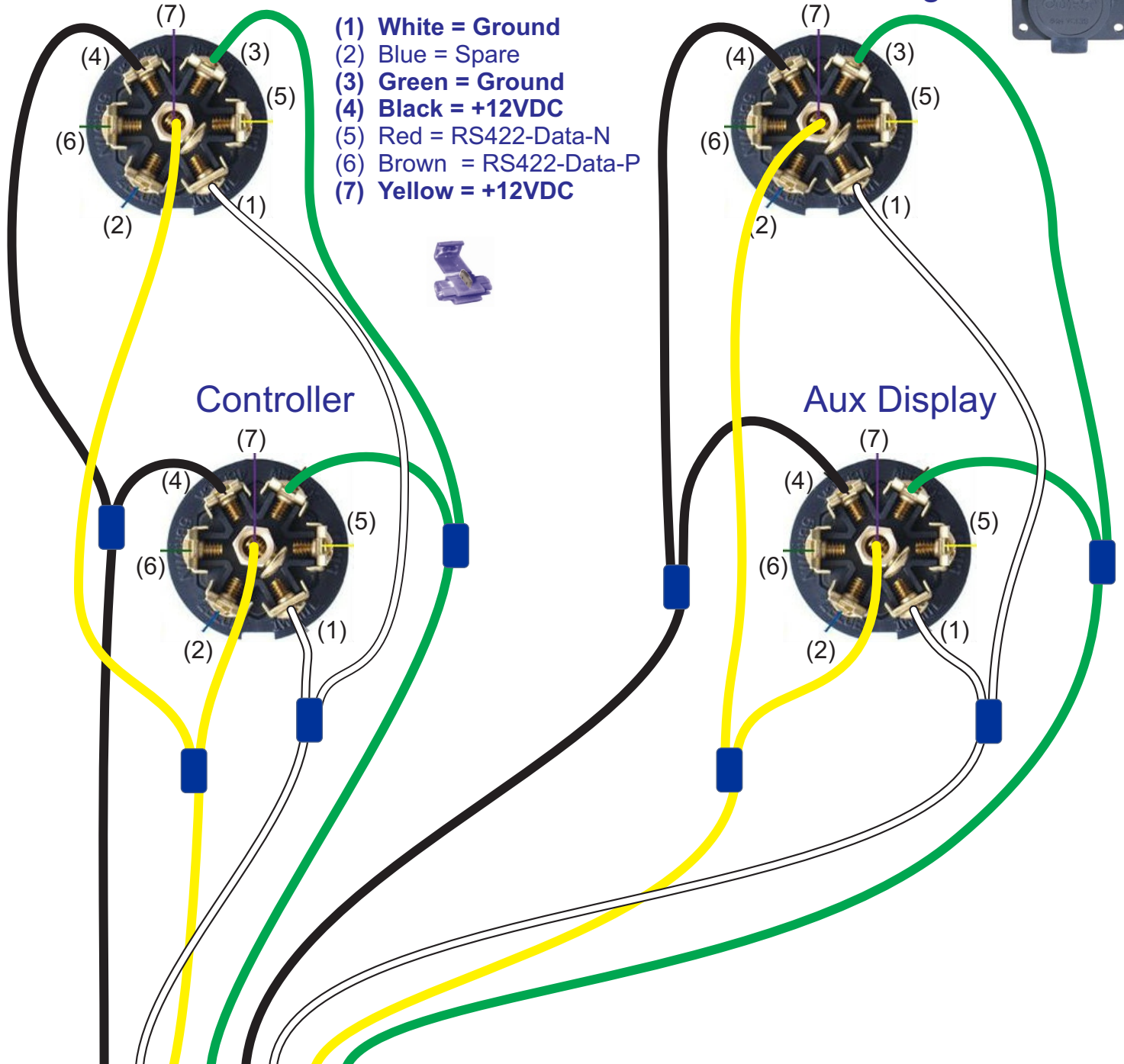
#### Power IN

#### Center Digit

- (1) White = Ground
- (2) Blue = Spare
- (3) Green = Ground
- (4) Black = +12VDC
- (5) Red = RS422-Data-N
- (6) Brown = RS422-Data-P
- (7) Yellow = +12VDC

#### Controller

#### Aux Display

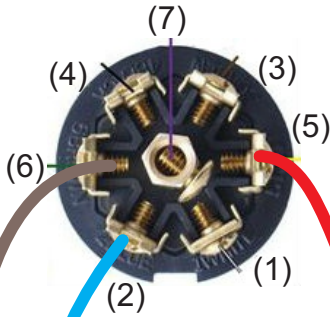


4-Cond Cable Conductor colors: red, brown, green, yellow

DSP3601A Ones digit power wiring  
7-Cond Cable Connector wiring.

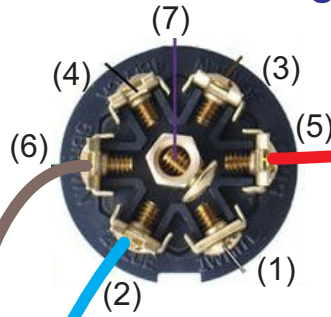


Power IN

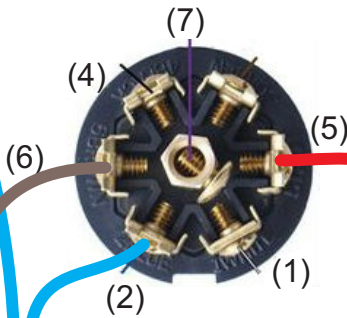


- (1) White = Ground
- (2) Blue = Spare
- (3) Green = Ground
- (4) Black = +12VDC
- (5) Red = RS422-Data-N
- (6) Brown = RS422-Data-P
- (7) Yellow = +12VDC

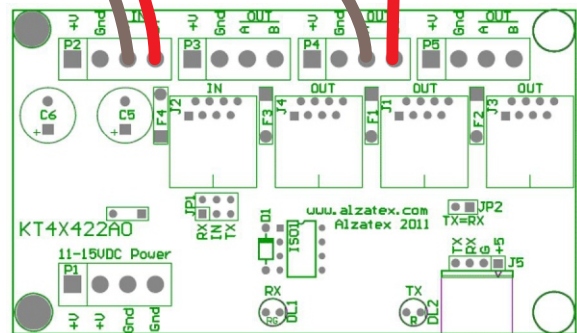
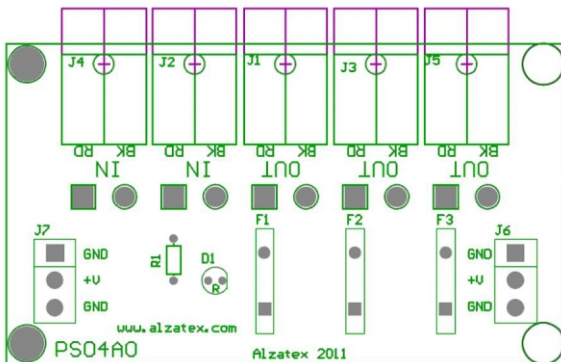
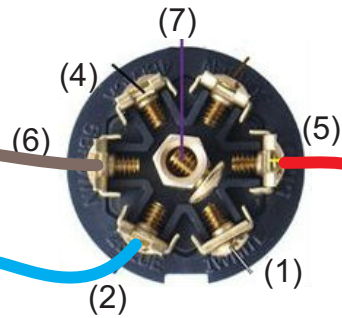
Center Digit



Controller



Aux Display



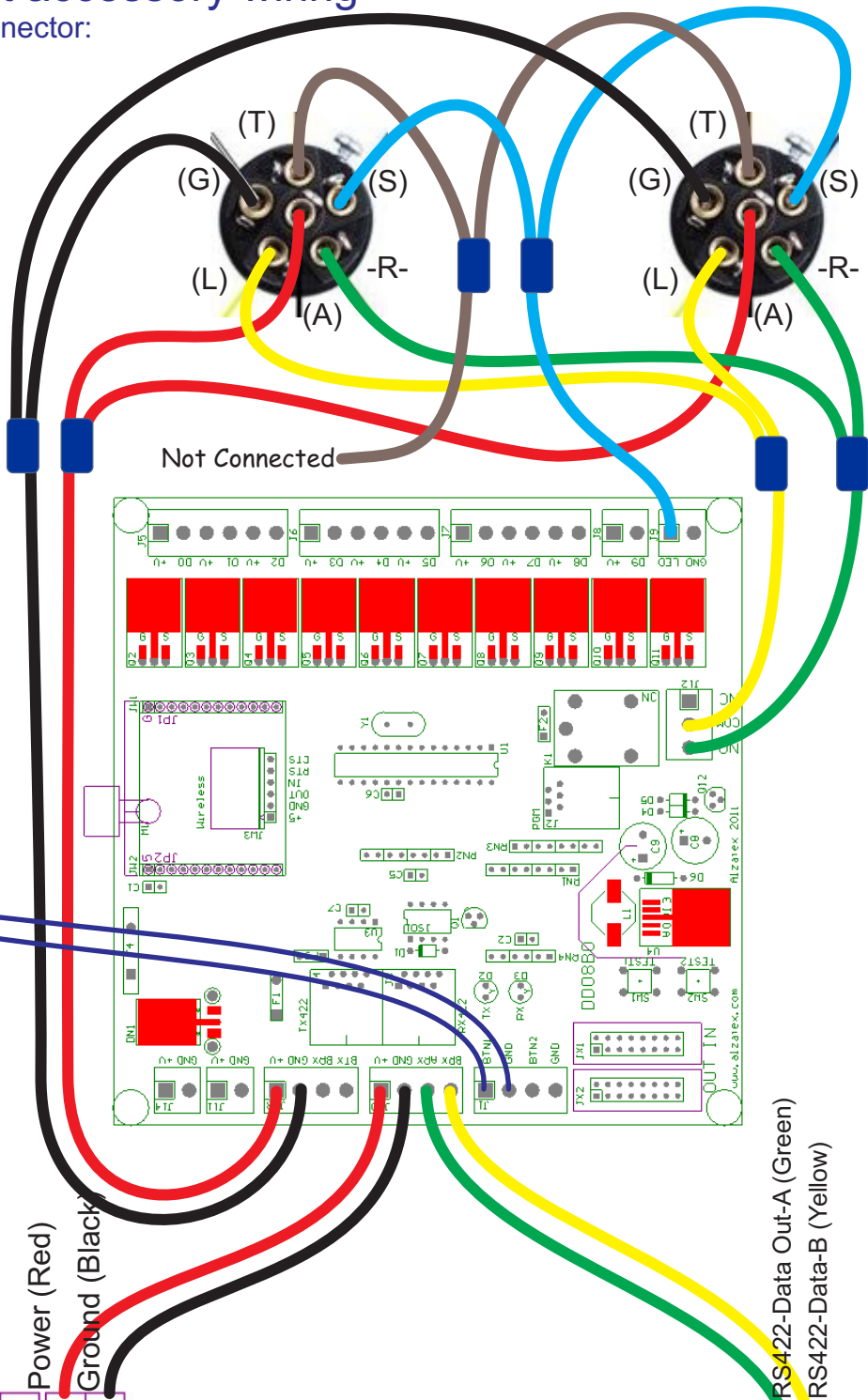
# DSP3601A Ones digit accessory wiring

6-Way Vehicle mount trailer connector:

- (G) White = Ground
- (S) Blue = Camera LED
- (T) Brown = Spare
- (A) Black = +12VDC
- (L) Yellow = Running Relay
- (R) Green = Running Relay



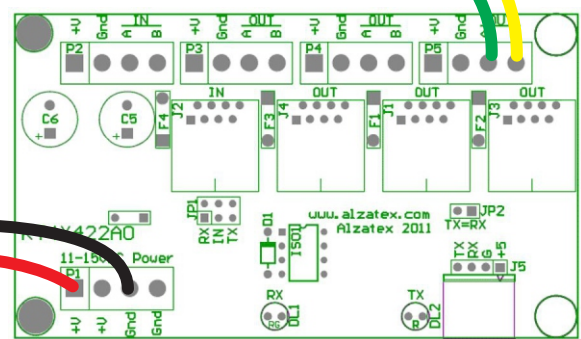
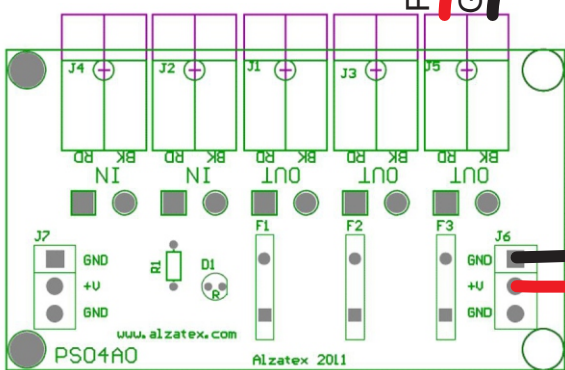
Test Button



Not Connected

Power (Red)  
Ground (Black)

RS422-Data Out-A (Green)  
RS422-Data-B (Yellow)



4-Cond Cable Conductor colors: red, brown, green, yellow

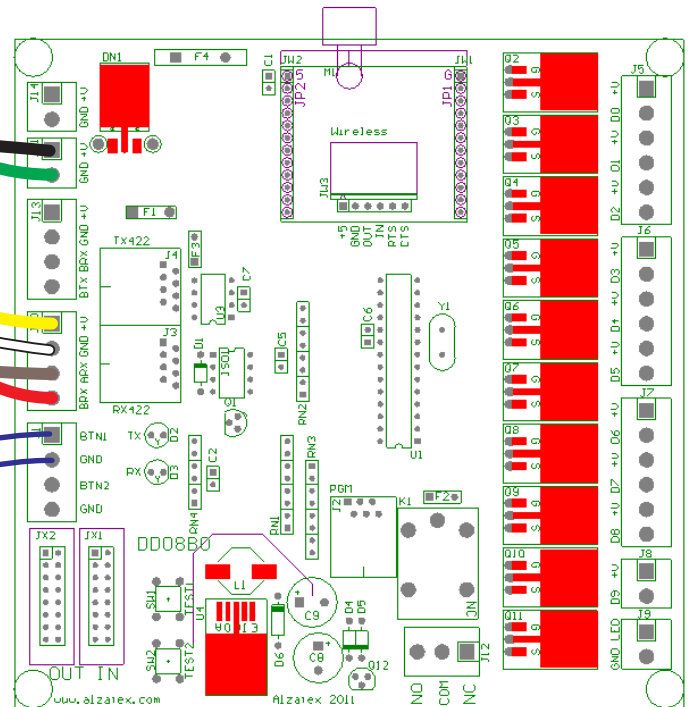
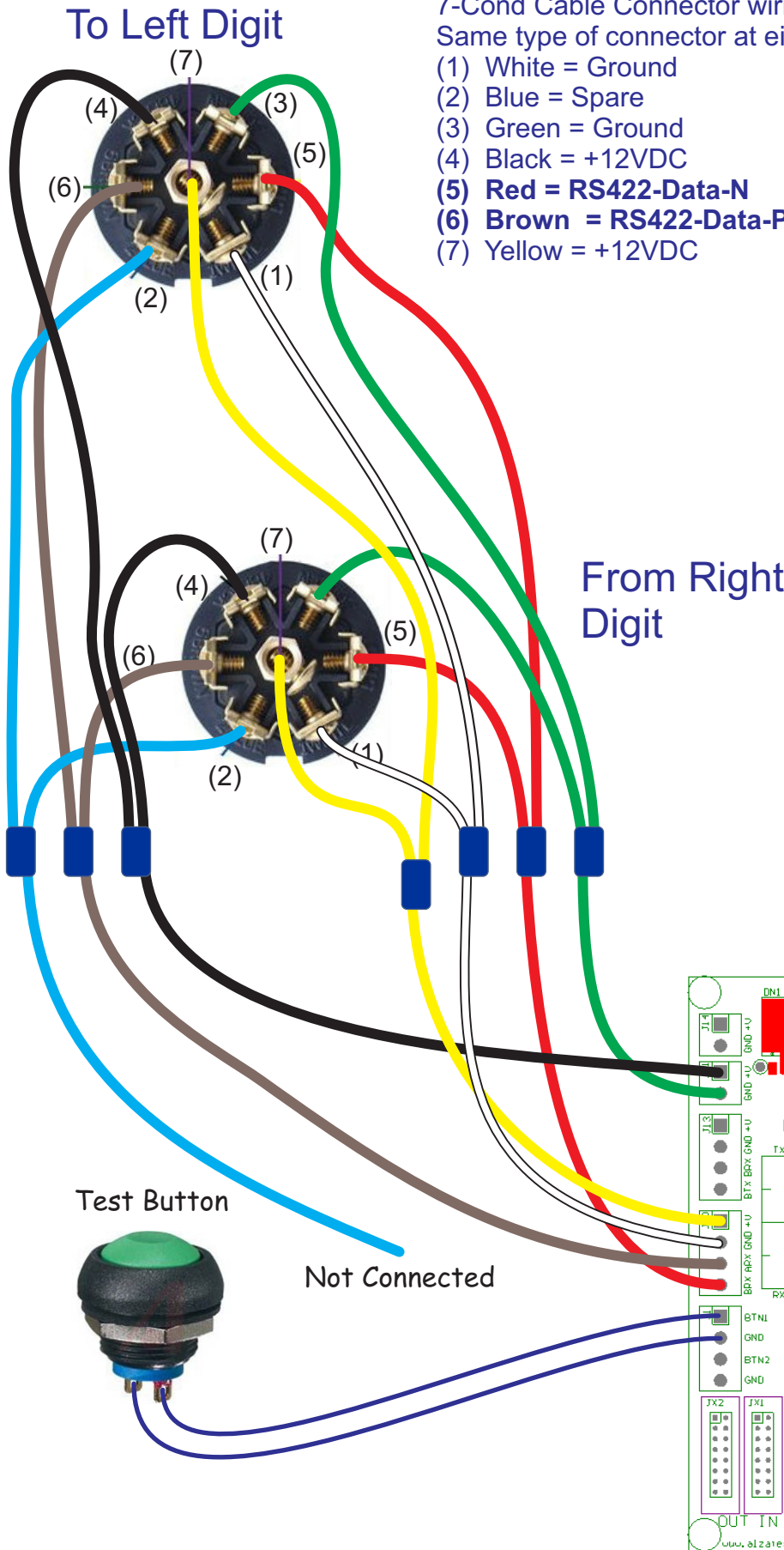


### DSP3601A Ones digit power wiring

7-Cond Cable Connector wiring.

Same type of connector at either end of the cable:

- (1) White = Ground
- (2) Blue = Spare
- (3) Green = Ground
- (4) Black = +12VDC
- (5) **Red = RS422-Data-N**
- (6) **Brown = RS422-Data-P**
- (7) Yellow = +12VDC



### DSP3601A Ones digit power wiring

7-Cond Cable Connector wiring.

Same type of connector at either end of the cable:

- (1) White = Ground
- (2) Blue = Spare
- (3) Green = Ground
- (4) Black = +12VDC
- (5) Red = RS422-Data-N**
- (6) Brown = RS422-Data-P**
- (7) Yellow = +12VDC

